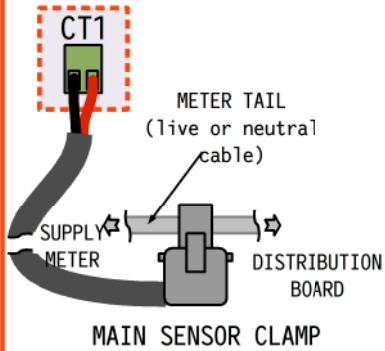


Sensor Clamp Plug.

If the wireless unit is being used to transmit data from the Grid or Supply Meter then CT1 socket should be used.



Main Sensor Clamp Installation: Grid or Supply Meter

The sensor should be located at the incoming grid supply to the building. This will be the supply from the electric supply meter (NOT the PV generation meter). Clamp the sensor around the LIVE from the meter. Ensure the clamp is securely closed around the cable.

It does not matter which way round the sensor is clamped around the cable, the immerSUN will work out the import/export direction automatically.

PV connected via Henley Block

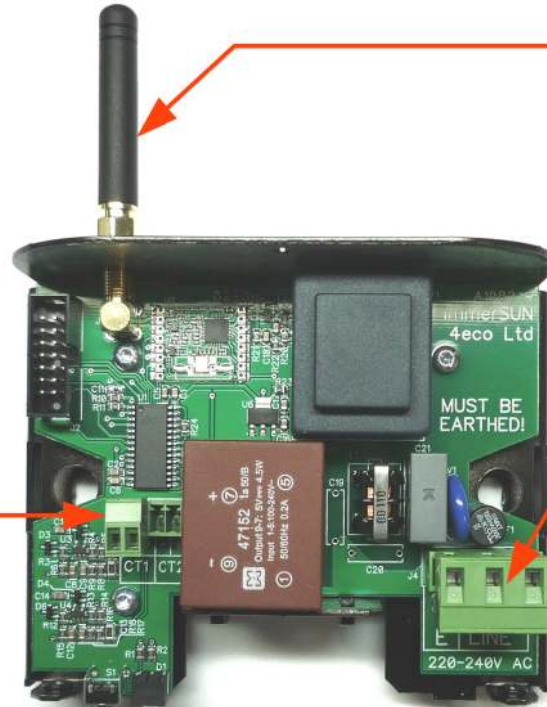
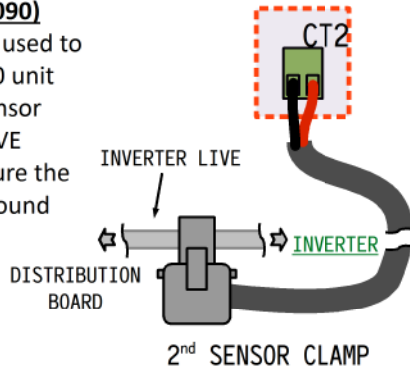
If the PV system is connected via a terminal then the clamp should be installed on the grid side of the block, i.e. between the meter and terminal block.

More than one consumer unit

Where there is more than one consumer unit, the clamp should be installed at the primary incoming supply (i.e. before it splits).

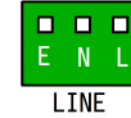
2nd Sensor Clamp Installation: Generation (Used with T1090)

If the wireless unit is being used to transmit data for the T1090 unit from the INVERTER, the sensor should be located at the LIVE output of the inverter. Ensure the clamp is securely closed around the cable.



Antenna

Screw the antenna onto the antenna connector at the top of the unit. An antenna should also be fitted to the immerSUN.



Power Supply Connection

Wire the supply plug to 220 – 240V AC supply. The supply can be from an existing circuit as long as the cable is rated higher than the fuse. Often the lighting circuit or immersion heater circuit is used. Be sure to label the circuit breaker or fuse accordingly

Important!

- Earth MUST be connected
- Ensure wires are secure in screw terminals
- Check plugs are fully inserted
- Secure cables to the cable anchor points with the cable-ties provided



Pairing Button

Using a pen or pencil, press and hold the pairing button for five seconds to put the Sensor in pairing mode.

Pairing with the immerSUN

Make sure the Wireless Sensor is in pairing mode, then select RADIO when prompted by the immerSUN during the Setup process. The immerSUN will ask which channel to use. Select an available channel then press ✓. The immerSUN will then start searching for the Wireless Sensor. This may take a few minutes. Once paired, the LED on the Wireless Sensor should be lit GREEN.



Pairing Mode

- When in pairing mode the LED will flash RED
- Pairing automatically activated when the Wireless Sensor is first switched on.



Paired (Good Signal)

Once paired the LED should be GREEN



Data Not Received by immerSUN

If the LED goes ORANGE, the data has not been received by the immerSUN – this may happen occasionally, however if too frequent the immerSUN tracking will be affected.



Data Not Received by Wireless Sensor

If the LED goes RED, the data was not received by the Wireless Sensor – this indicates a loss of communication.

Technical Specifications

Model Number:	T1070
Supply Voltage:	220 – 240V AC @ 50Hz
Input Current (max):	100mA
Ambient Temperature:	-20 to +50°C
Overvoltage Category:	III
Standby Consumption:	1W
Measurement Accuracy:	+/- 1%
Dimensions:	117 x 97 x 57mm
IP Classification:	IP20
Compliance:	
EN 61000-6-3:2007+A1:2011	Electromagnetic compatibility (EMC) - Generic standards.
EN 61000-3-2:2006+A1:2009+A2:2009	Limits for harmonic current emissions.
EN 61000-3-3:2008	Limitation of voltage changes, voltage fluctuations and flicker.

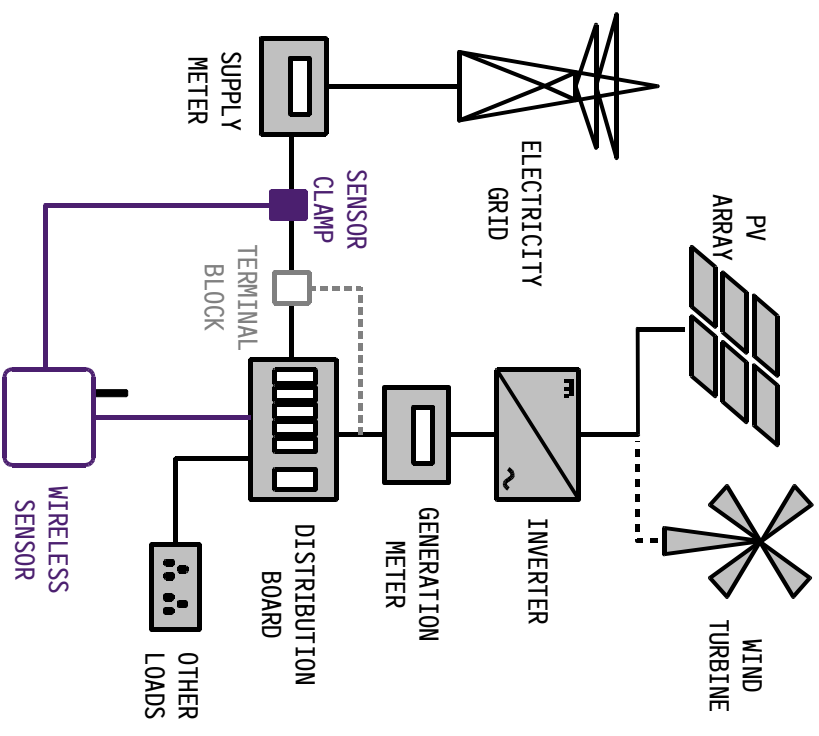
Country of Manufacture: UK

ENG 1.1.V1

Wireless Sensor Installation Guide



Nns Jewwi®



System Overview

388866 7471(0) 74+

England
LN8 6BY
Binbrook, Lincolnshire
reco Ltd, Church View Business Park